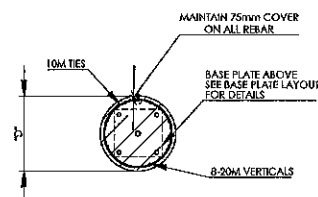
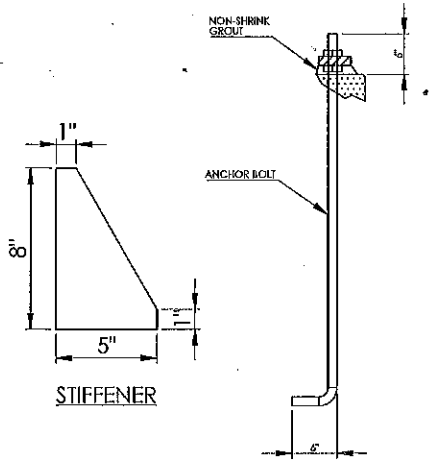


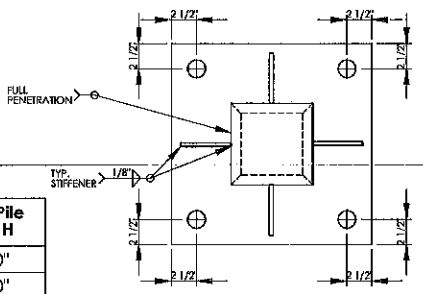
TYPICAL CIP PILE ELEVATION



SECTION A-A CIP PILE SECTION



ANCHOR BOLT DETAIL



BASE PLATE LAYOUT

Dim 'A'	Dim 'B'	Anchor Bolt Spec	Base Plate Spec	Pole Spec, P	Concrete Pile Spec, D x H
3'	6'	QTY 4 Ø 1"x4'-0"	15"x15"x 1"	5"x5"x0.188"	Ø24"x8'-0"
4'	8'	QTY 4 Ø 1"x4'-0"	16"x16"x 1"	6"x6"x0.188"	Ø30"x8'-0"
5'	10'	QTY 4 Ø 1"x4'-0"	17"x17"x 1 1/4"	7"x7"x0.188"	Ø30"x8'-0"
6'	12'	QTY 4 Ø 1 1/4"x4'-0"	18"x18"x 1 1/4"	7"x7"x0.250"	Ø30"x8'-0"

FOUNDATION DIMENTION CHART

- NOTES:
- 1" GROUT UNDER BASE PLATES AFTER SIGN INSTALLATION.

DRAWING TITLE: 2 POST PYLON - FOUNDATION DETAILS

NO.: 1 DESCRIPTION: ORIGINAL DATE: 1/2/2018 SCALE: NTS



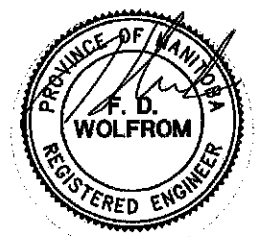
MANITOBA  
Standard  
Sign Details

LAYOUT# PS8-24.2  
PAGE# 1 OF 2

This document is null and void without official, current year, embossed, proof of membership seal

PLATE SAC APC  
EMBOSSED SEAL HERE

Registered Professional Engineer's Stamp Goes Here



2019-01-04